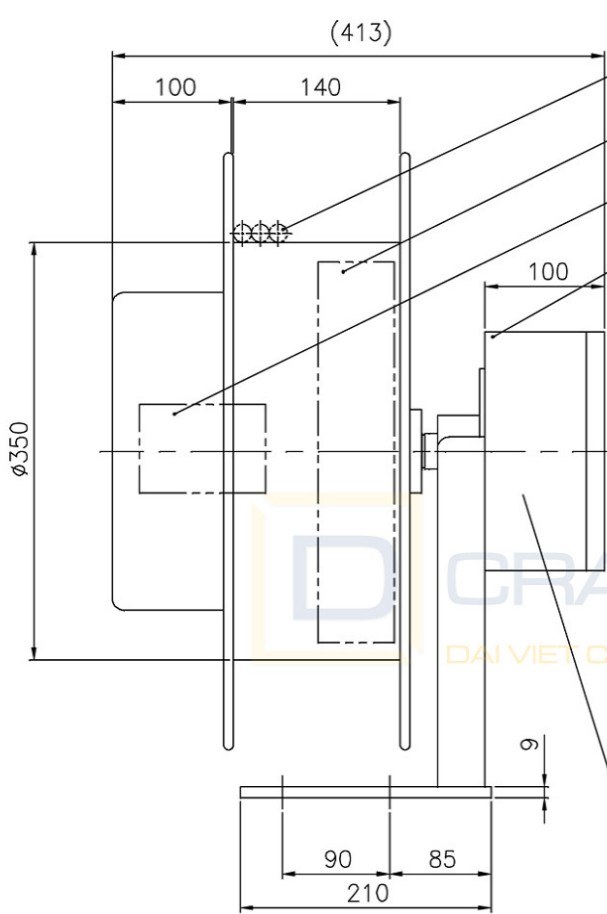
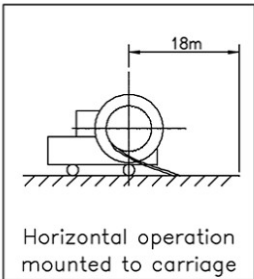
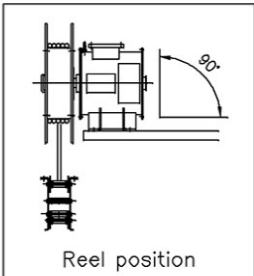
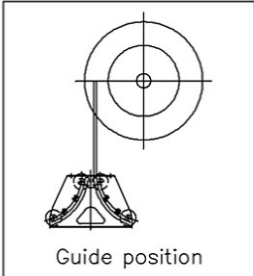
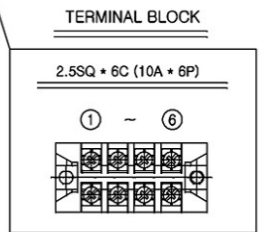
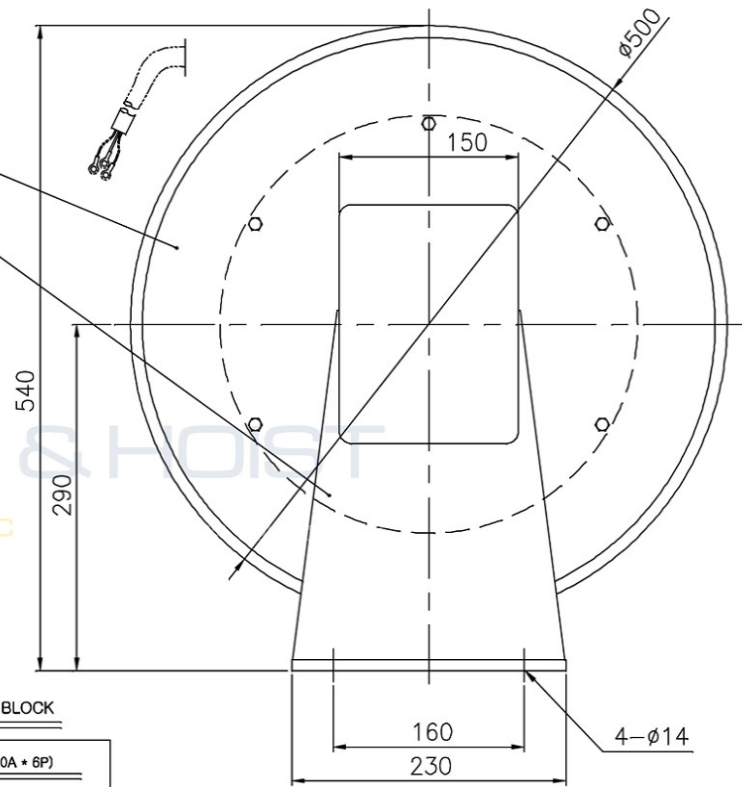


MARK	REVISIONS NO	REASONABLE RVISIONS	DATE	DWN	APVD



Outlet:
'O' Type Terminal

TAKE OUT



SPECIFICATION

- | | | | |
|----------------------------------|--|-------------------|---|
| 1. Cable | | 5. Slip Ring | : 10A x 6P |
| o PNCT 2.5 sq x 6c | | 6. Paint Color | : MUNSELL No. 7.5 BG6/1.5 (Powder Coated) |
| o Size : approx. 17.3mm | | 7. Setting Height | : Max. 1.0 m from G.L. |
| o Weight : approx. 0.43 kg/m | | 8. Q'ty | : 1 Set |
| o Length : 20 M | | 9. Weight | : - Kg |
| 2. Winding Length : 18 M | | | |
| 3. Winding Speed : max. 20 M/MIN | | | |
| 4. Winding Torque : 1.5 Kg.m | | | |

6	FRAME	SPHC	1		
5	DRUM	SPCC	2		
4	TERMINAL BOX	PLASTIC	1		
3	SLIP RING	C3771	6		
2	SPRING	ATX	2		
1	CABLE	PNCT	20M		
ITEM 순번	PARTS NO. 품번	PART NAME 품명	MATERIAL 재질	Q'TY 수량	REMARKS 비고

PROJECTION 3rd ANGLE	DIMENSIONS METRIC (mm)	SCALE 1 : 6	MODEL ECC-220-6
CUSTOMER	PART NAME ASS'Y		PART NO. Z772-3000
MODEL COLOR 지표 색상	DRAWING	DESIGN	CHECK
SIGN	P.S.Y	APPROVAL	
DATE	2016.12.16		



A4(210X297)